

ZZ GIRDER CLAMPS

Version with a crosspiece – loading capacity 2t – 5t

Version with an eye – loading capacity 2t – 10t

Use:

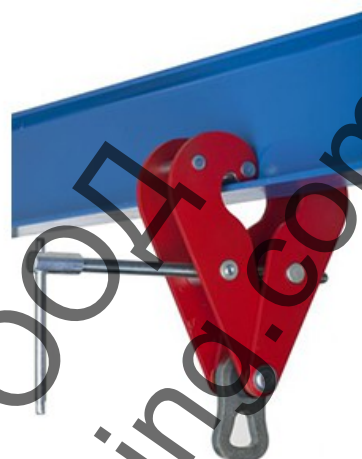
- used as an accessory for manual hoists made by the BRANO company, possibly also hoists of other brands
- serves for simple and rapid suspension of manual hoists on beams or posts I (I, IPE, HEB, HEA) or T profile.
- suitable as portable tool during installation, repair or other work.

Properties:

- simple and rapid installation to a structure
- minimum maintenance demands

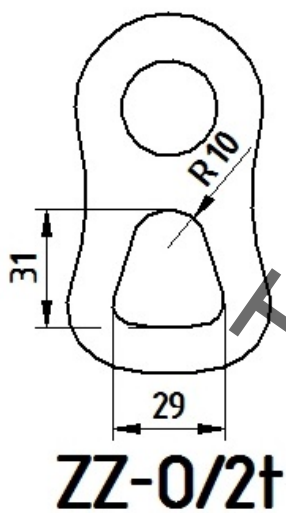
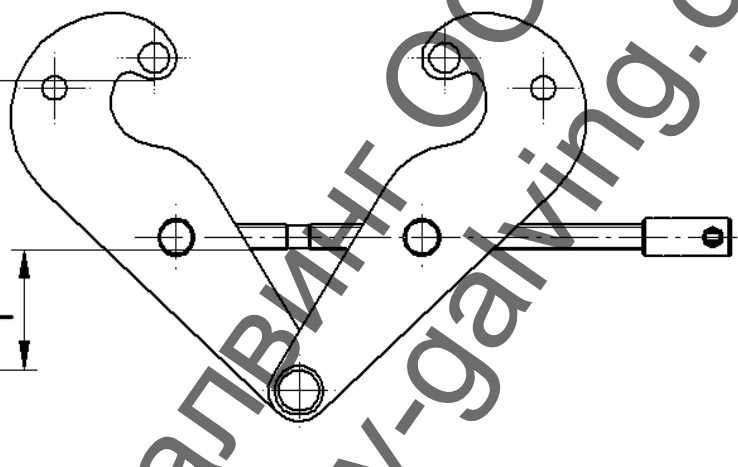
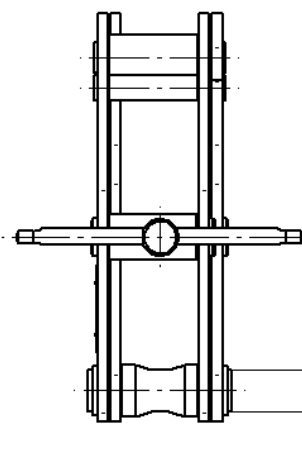
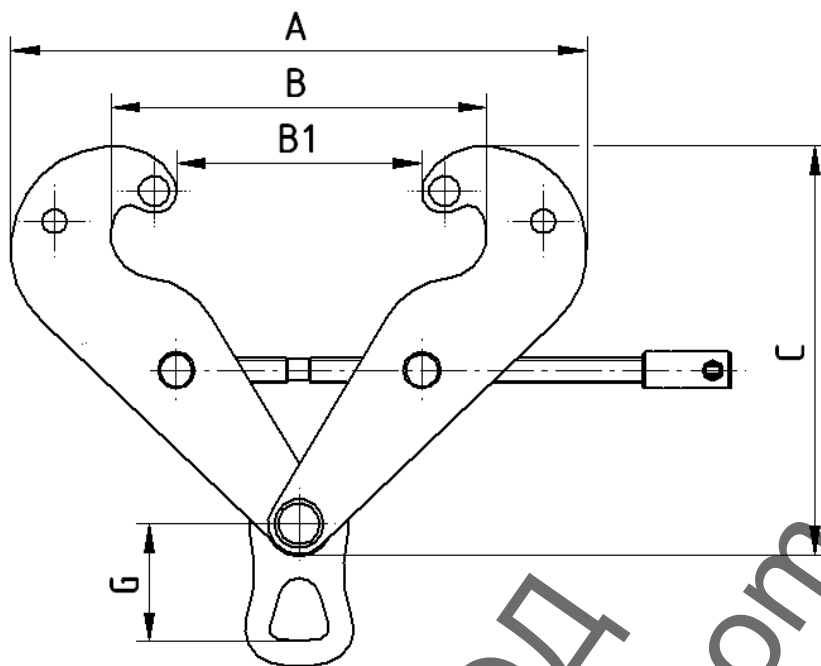
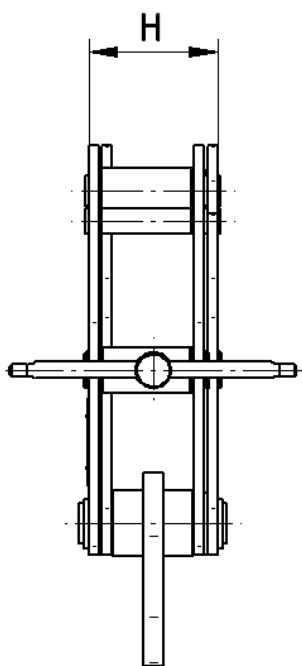
The version with a cross-beam is made to a loading capacity of 2t, 3.2t and 5t.

The version with an eye is made to a loading capacity of 2t, 3.2t, 5t and 10t.

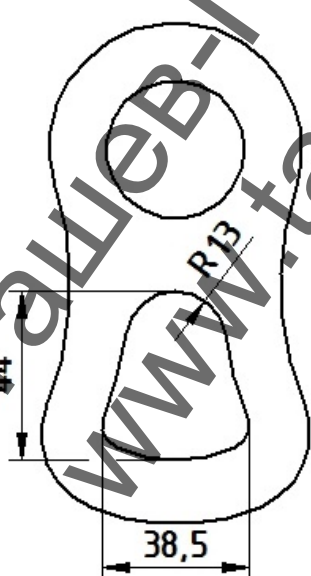


Type	Lifting capacity (t)	Main dimensions (mm)									Weight (kg)	
		A max.	B max.	B1 max.	C max.	D	E min. max.	F min.	G	H max.	with cross beam (ZZ)	with eye (ZZ-o)
ZZ	2	360	270	220	220	20	108/155	35	57,5	61	2,9	3,1
	3,2	415	300	235	285	34	145/190	55	81	85	6,5	7
	5	415	300	235	285	38	142/187	52	88	93	8,4	9
	10	415	300	235	285	–	–	–	120	109	–	15,5

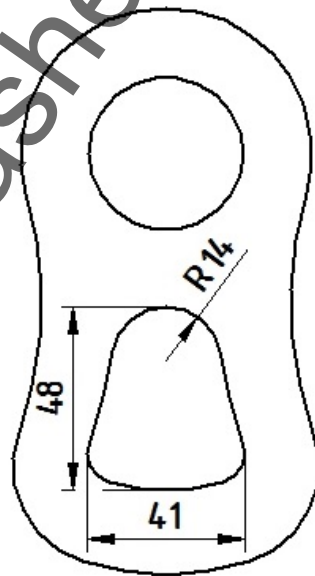
B – width of I girder flange



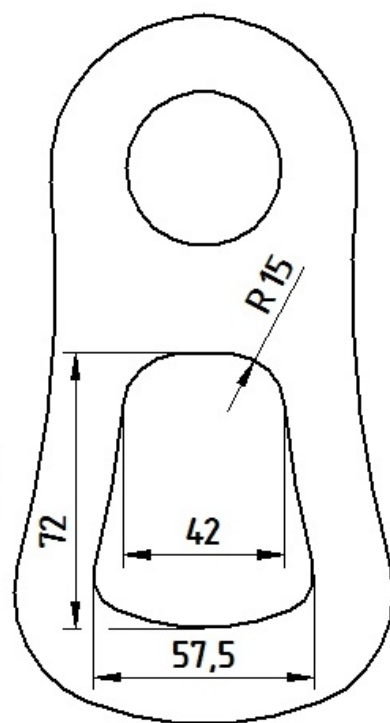
ZZ-0/2t



ZZ-0/3,2t



ZZ-0/5t



ZZ-0/10t

WWW.GALTSHEV-GALVINI-GOOD.COM

DOWNLOADABLE FILES

Operation manual – ZZ – [cz](#) [sk](#) [en](#) [de](#) [pl](#) [rus](#)

[EC Declaration of conformity – ZZ](#)

Tel.: +420 553 632 303

E-mail: zz-info@brano.eu

[Go to page Contact](#)

© 2021 Brano a.s.

[Mapa stránek](#)

Ташев-Галвинг ООД
www.tashev-galving.com